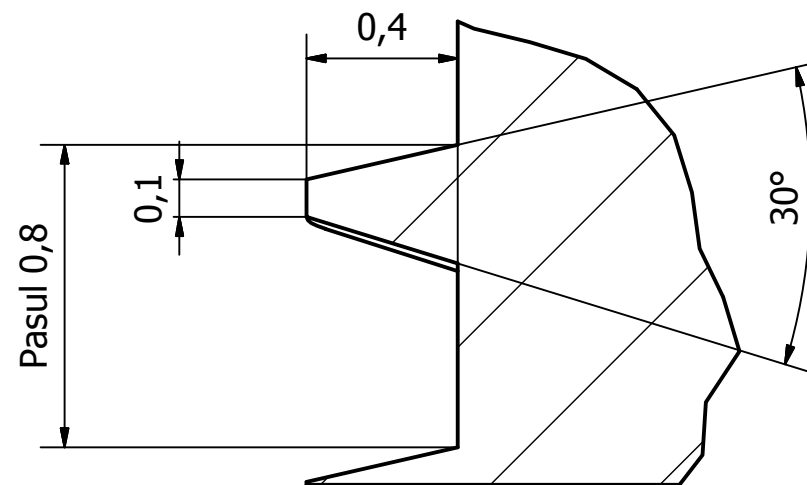


B (50 : 1)



Volum = 107.179 mm³